

INSTRUCTION MANUAL PARABELLA STAND



Parts



1 x PARAB



1 X PARAL (Pair)



1 x C15230



8 x M12 x 25



4 x M10 x 20



1 x ALLEN KEY (8mm)



1 x ALLEN KEY (6mm)



1 x PLWL (screens over 50")

or

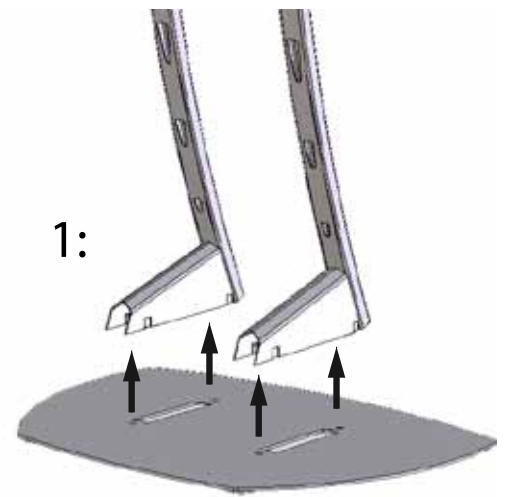


1 x PZW (screens up to 50")

Steps

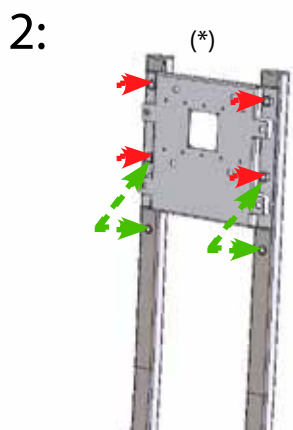
Note: cable up legs before assembly

Units come with either a Universal screen mount or Xactmatch mount **and adapter.** .

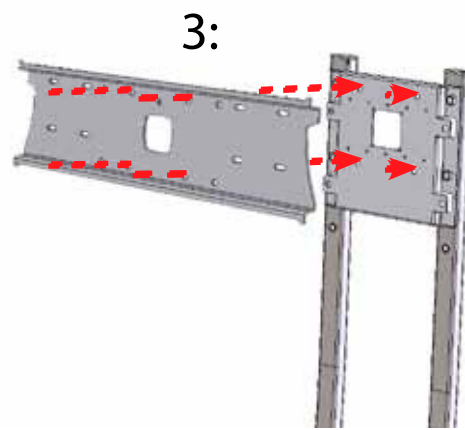


Screws 4 x M12 x 25

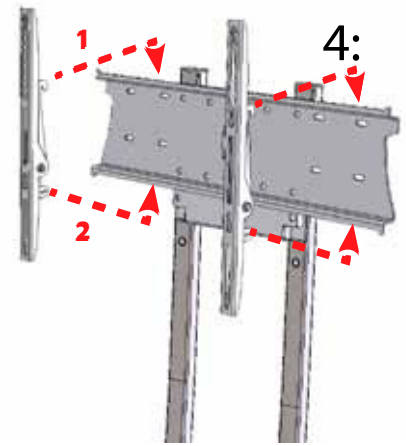
PZW : Universal



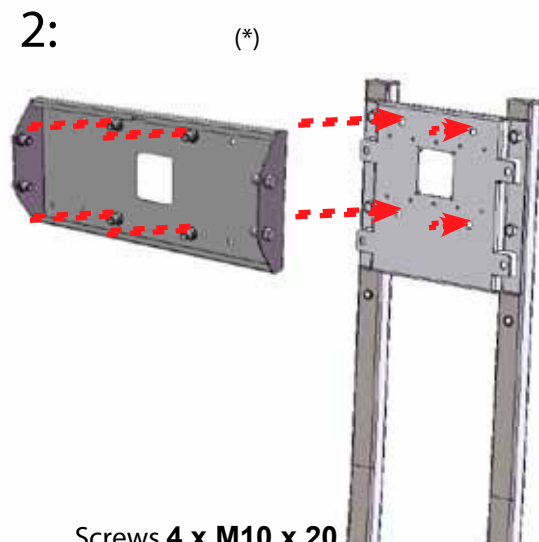
Screws 4 x M12 x 25



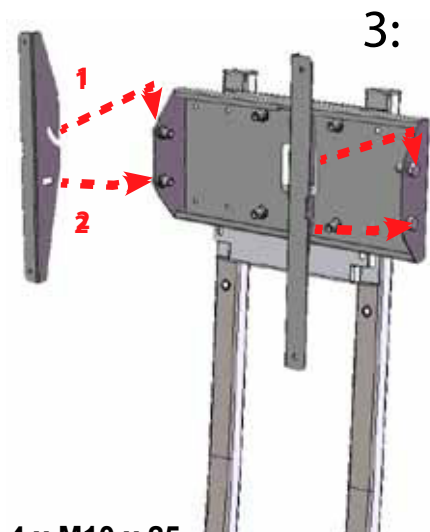
Screws 4 x M10 x 20



PLWL:Xactmatch



Screws 4 x M10 x 20



Screws 4 x M10 x 25

(*) Green Arrows are alternative fixing holes

Caution: Ensure all fittings are correctly tightened before use

If you require assistance please call: 01865 767676
or email: sales@unicol.com

www.unicol.com